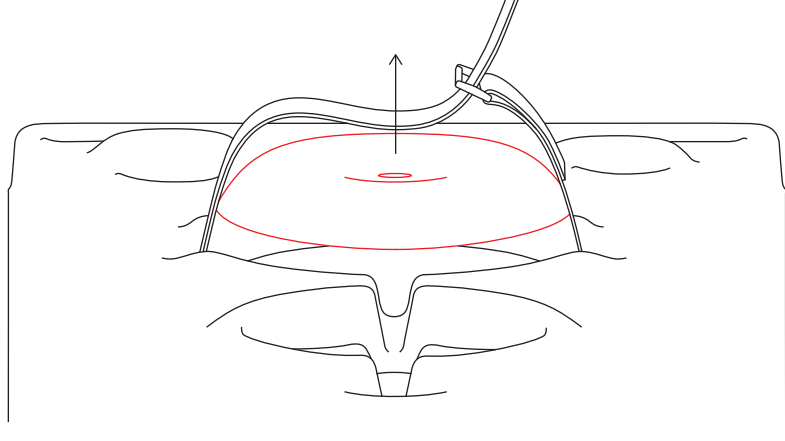


Assembly

The lamp body and cast iron base are shipped unassembled for safe packaging. Follow these steps to assemble and power the lamp

Note: Handle all components with care to avoid damage during assembly. Ensure the lamp is placed on a flat, stable surface after setup.

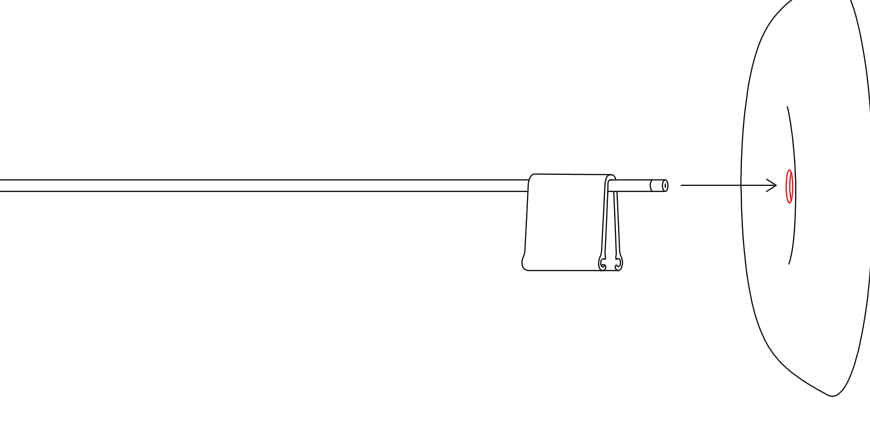
1 Unfasten the Velcro strap, and carefully remove the cast iron base from the pulp tray.



2 Pull out the Allen wrench from the gripping tool and set aside for later use. Snap the gripping tool onto the lower portion of the lamp stem.



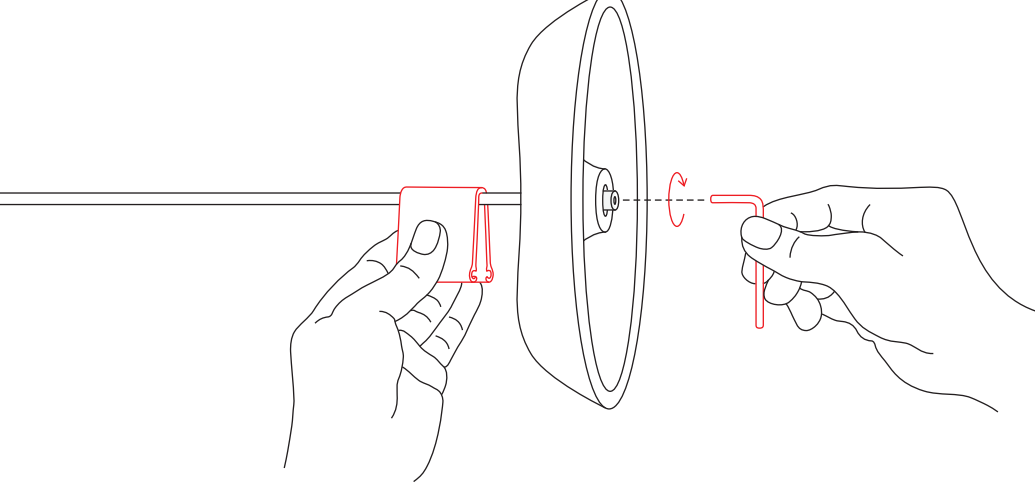
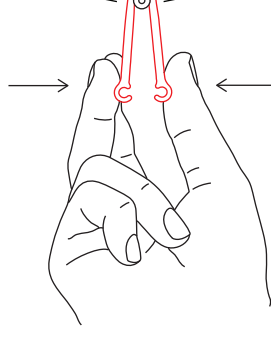
3 Insert the stem into the center hole on the top of the cast iron base.



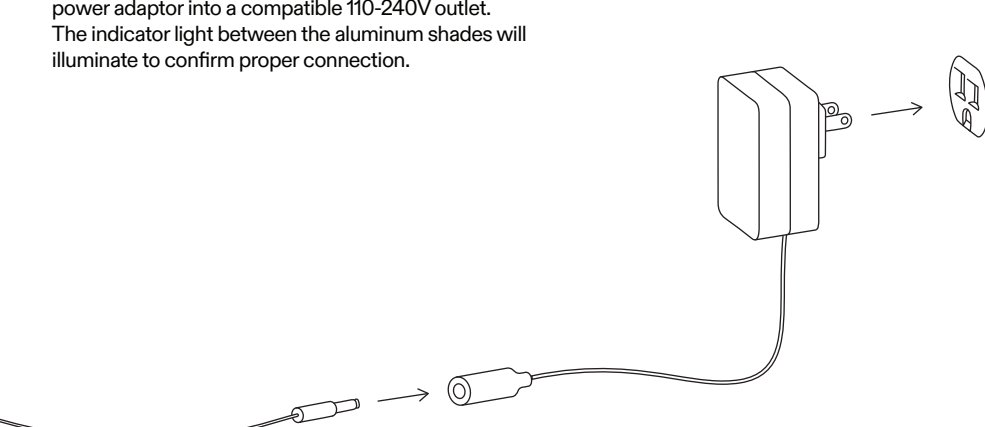
4 The gripping tool increases friction to stabilize the stainless steel stem during tightening, as the polished surface may slip when held by hand alone.

While squeezing the gripping tool, tighten the base screw with the provided Allen wrench until the stem is firmly secured and stable.

Insufficient tightening may cause the stem to loosen from the base over time.



5 Connect the power cable to the power adapter. Plug the power adaptor into a compatible 110-240V outlet. The indicator light between the aluminum shades will illuminate to confirm proper connection.

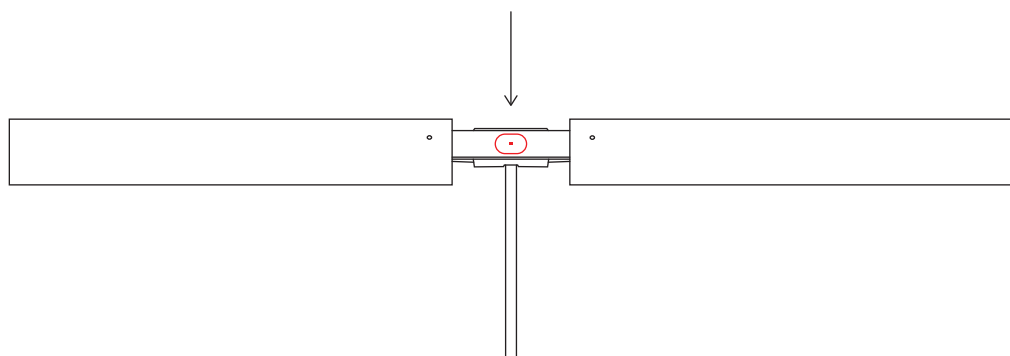


On/Off & Dimming

Ramulus is equipped with an integrated LED module for stepless dimming and accurate color rendition.

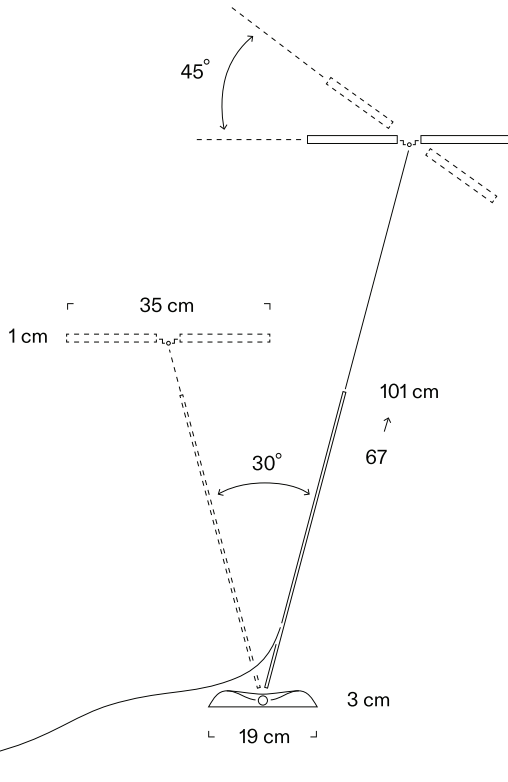
All controls are integrated into the central capacitive node, located between the two aluminum shades.

Tap to switch on or off. Press and hold to adjust brightness. The lamp retains the previous brightness level when switched off and on again.



Adjusting the Lamp

Ramulus articulates through two tensioned spherical joints at either end of its central telescopic stem. The range of motion and spatial reach allow it to shift between floor and work-surface placement, and between direct and indirect light.



Repair & Disposal

Repairs must be conducted by a certified electrician. In case of damage to the external power cord, replacements must be performed exclusively by Onibi LLC.

The legal and contractual warranty for defects and product liability will be void if these instructions are not followed or if non-original components are used.

LED module is not user-replaceable and must be serviced by a qualified professional.

Defective power adaptors, cables, or LEDs must be disposed of as electronic waste in accordance with local regulations and must not be placed in household waste.

Cleaning

Clean the lamp using a dry or slightly damp microfiber cloth. Avoid using cleaning agents containing solvents or chlorine.

Safety / Warning

To ensure your safety and avoid potential damage to the lamp, ensure hands are dry before handling the plug. Do not expose the lamp to rain, moisture, or salty air.

Keep away from flammable materials and ensure proper ventilation to prevent overheating.

Not suitable for use by children without adult supervision.